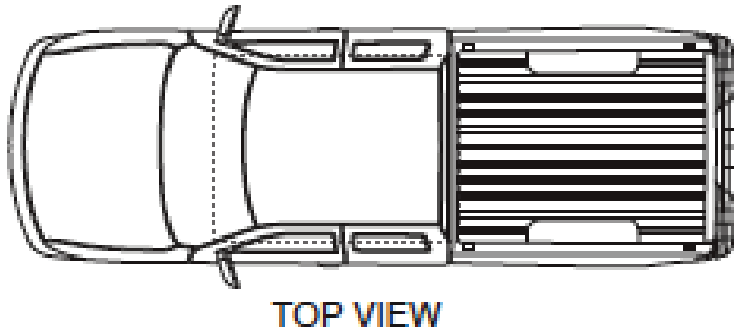
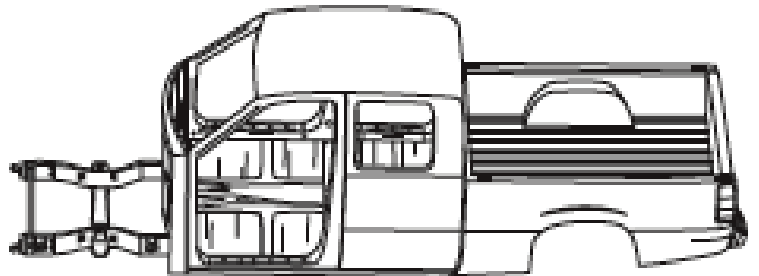
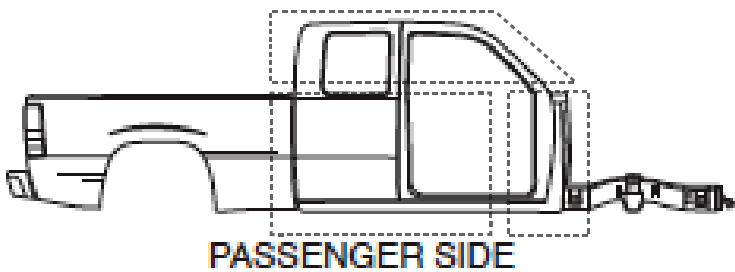


Date: _____
 To: _____
 From: _____
 Fax #: _____
 Phone #: _____
 Year/Make/Model: _____

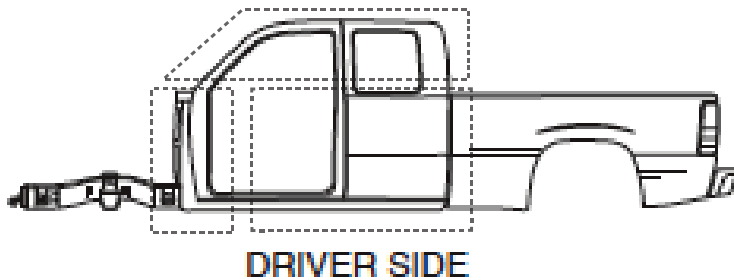
Recycled Parts Request Form: Extended Cab

*These illustrations show our standard cuts. A surcharge is applicable for larger cut (beyond the dotted line).
 Areas not identified by standard cut lines will be quoted accordingly.*

Return Fax: 269-345-0002
Toll-Free: 800-345-0123



Please use the area below for a detail of cut instructions:



Notes:

